

Design A Spring Program Order Worksheet

Cross over worksheet for READY Gas Springs
For FAST QUOTES ... copy this and fax READY the details.

READY can manufacture special gas springs in as little as 3-5 days (quantity of springs will affect delivery).

Company: _____
 Contact Name: _____ Title: _____
 Address: _____
 City, State, Zip: _____
 Phone: _____ Fax: _____
 Email Address: _____

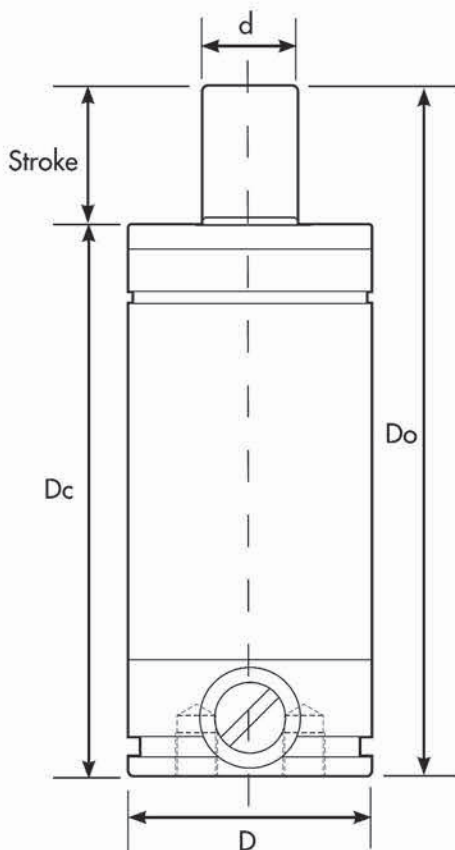
In addition to our complete line of standard gas springs, we offer what no other gas spring manufacturer offers: a re-engineer custom gas spring manufacturing service with incomparably quick delivery.

That's right. With our "Design a Spring Program", we can special manufacture gas springs to provide an exact cross to most other gas spring models or to your application specifications.

Simply fax us a completed Design A Spring Program Order Worksheet, and Ready will promptly respond with a design solution for your requirement. We invite you to try our new and remarkable Design a Spring Program for yourself.

Experience for yourself the benefits of DESIGN₂-TITE® gas springs.

***They truly are...
Better by Design.***



Selection Criteria

∅d _____
 ∅D _____
 Stroke _____
 Do _____
 Dc _____
 Stroke/mm _____
 Force Needed _____
 Threaded Body _____
 Mounting Pattern _____

READY TECHNOLOGY

333 Progress Rd. • Dayton, OH 45449
 937.866.7200 • 800.543.4355
 fax: 937.866.7226

www.readytechnology.com